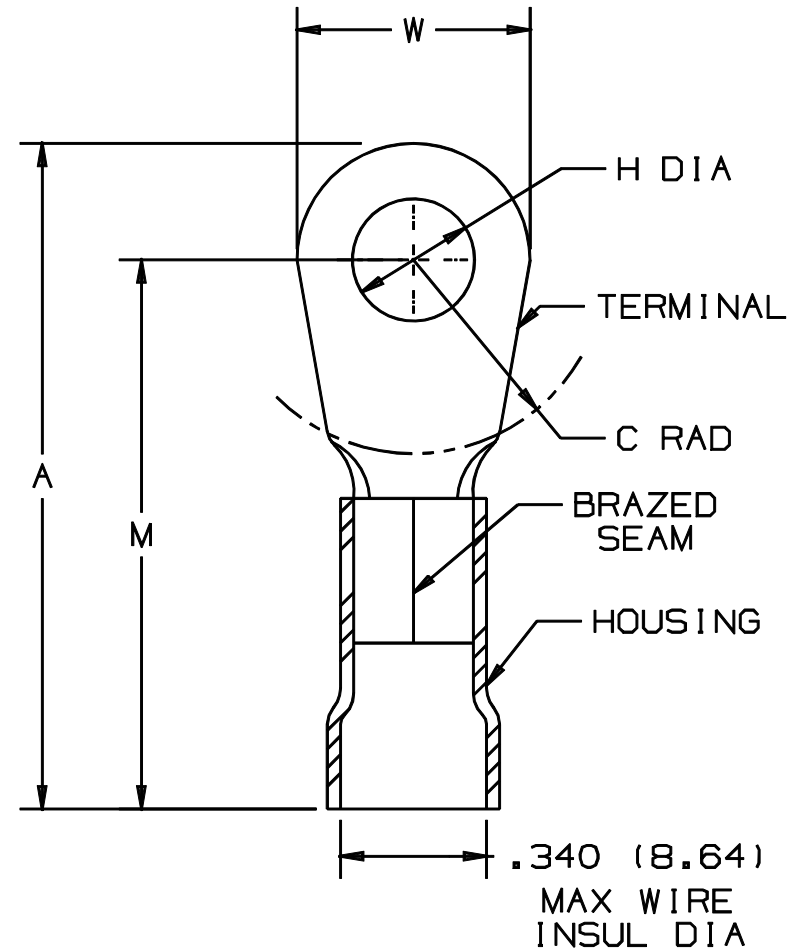


THIS COPY IS PROVIDED ON A RESTRICTED BASIS AND IS NOT TO BE USED IN ANY WAY DETRIMENTAL TO THE INTERESTS OF PANDUIT CORP.

PANDUIT PART NUMBER	STUD SIZE	DIMENSIONS in.				
		A $\pm .03$	W $\pm .01$	C $\pm .02$	M $\pm .03$	H $\pm .01$
PV6-8R	#8	1.61 (40.89)	.47 (11.94)	.43 (10.92)	1.38 (35.05)	.18 (4.57)
PV6-10R	#10	1.62 (41.15)	.47 (11.94)	.43 (10.92)	1.38 (35.05)	.20 (5.08)
PV6-14R	1/4"	1.65 (41.91)	.47 (11.94)	.48 (12.19)	1.38 (35.05)	.27 (6.86)
PV6-56R	5/16"	1.74 (44.20)	.62 (15.75)	.53 (13.46)	1.44 (36.58)	.33 (8.38)
PV6-38R	3/8"	1.74 (44.20)	.62 (15.75)	.51 (12.95)	1.44 (36.58)	.40 (10.16)
PV6-12R	1/2"	1.84 (46.74)	.82 (20.83)	.51 (12.95)	1.44 (36.58)	.52 (13.21)




NOTES:

- UL LISTED FOR:
 - 600V MAX VOLTAGE RATING
 - 221° F (105° C) MAX TEMP RATING
 - #6 AWG STRANDED COPPER WIRE
- PACKAGE QTY: STD. PKG. -E=20
BULK PKG. -T=200
- MATERIAL:
 - STAMPING - .045" (1.14) THK COPPER, TIN PLATED
 - HOUSING - VINYL, BLUE
- DIMENSIONS IN BRACKETS ARE IN MILLIMETERS
- INSTALLATION TOOL: CT-720
- WIRE STRIP LENGTH: 7/16 $\pm .003$ (11.1 $\pm .08$)


 LISTED
 587H
 E52164

A41218_04

04	1/01	KMD		CAD FILE SPEC. WAS N41218AA_PCD_03						 TINLEY PARK, ILLINOIS #6 BARREL VINYL INSULATED RING TONGUE .340 (8.64) MAX. WIRE INSUL. DIAMETER	
03	10/94	TH		UPDATED NOTES AND DIMENSIONS	02557						
02	7-88	DW		REDRAWN WITH REVISIONS							
REV	DATE	BY	CHK	DESCRIPTION	ECN #	CUST	PM	DRAWN BY DAW	CHK'D	SCALE NONE	DRAWING NO. A41218